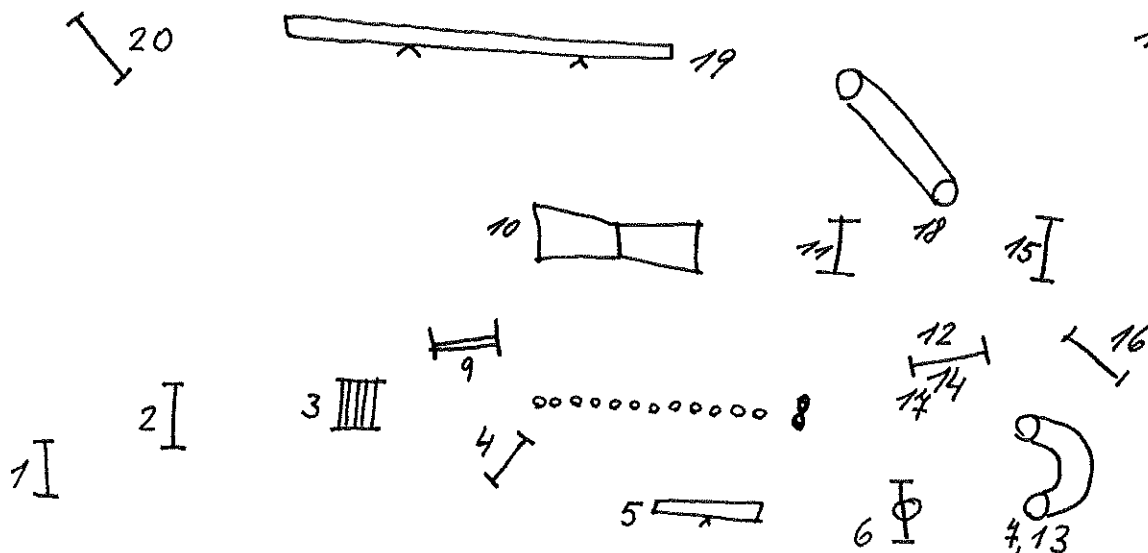
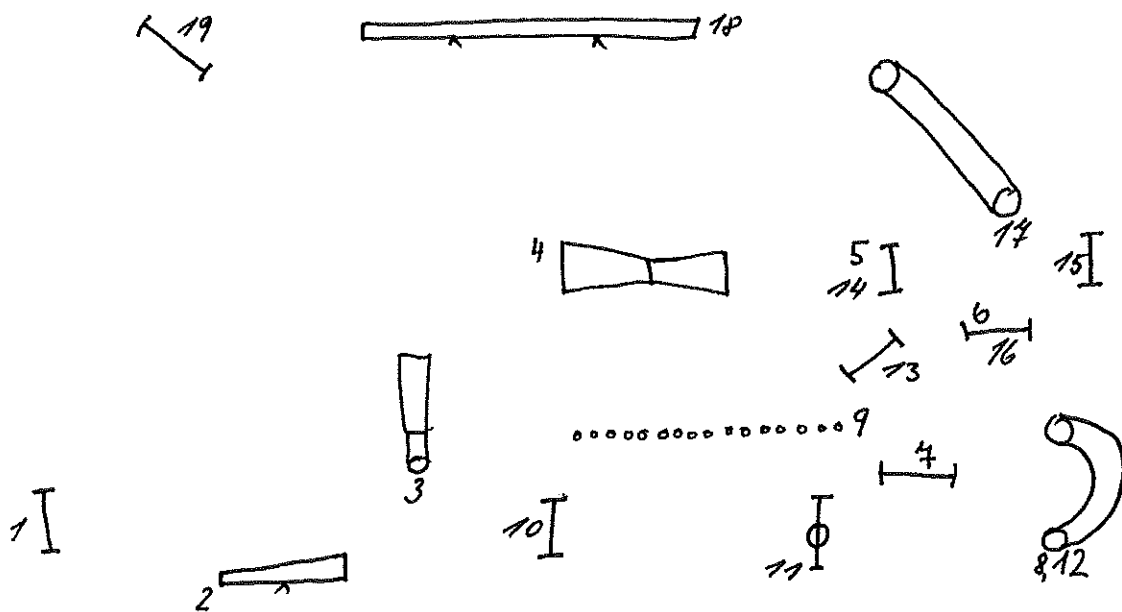


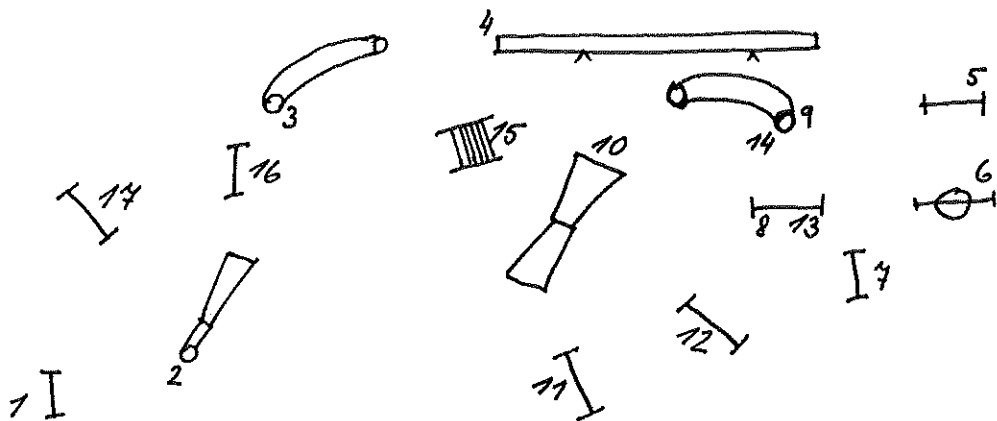
KLADNO 2.2.2008
 A3 SO DIVIŠ
 150m 3,26m/s



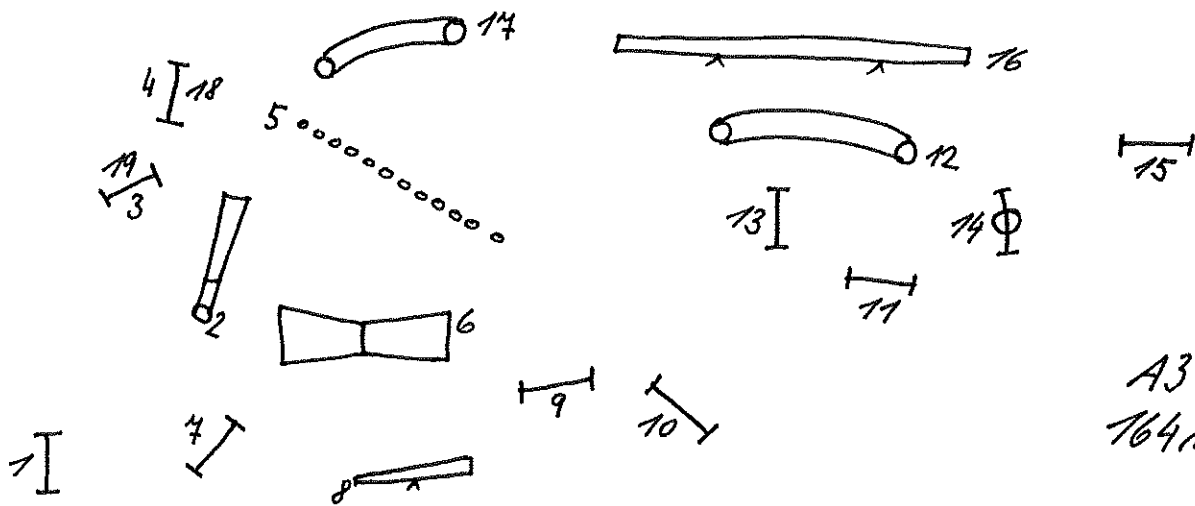
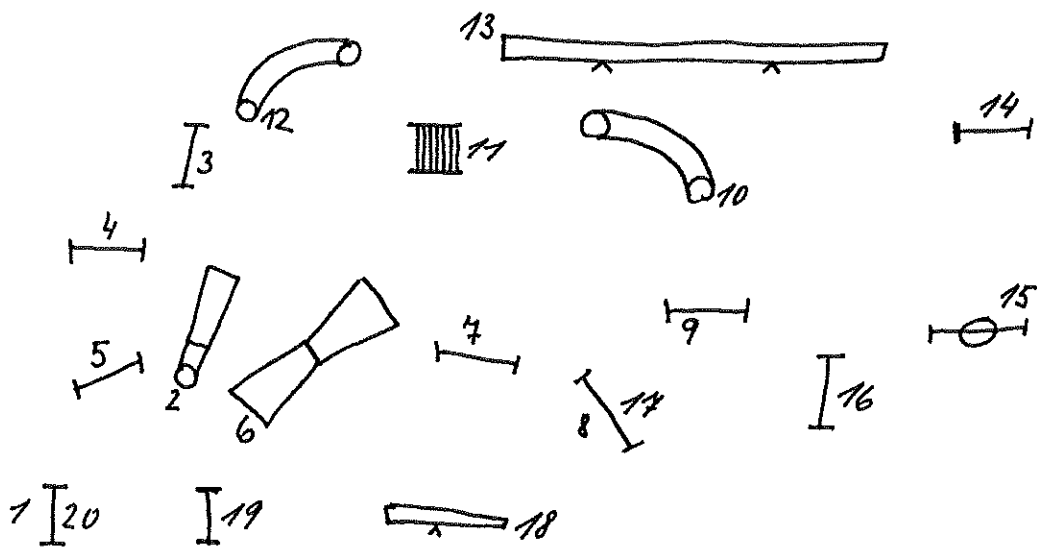
OPEN SO DIVIŠ
 160m 3,01m/s



KLADNO 3.2.08
 A1 NE DIVIŠ
 140m 2,8m/s

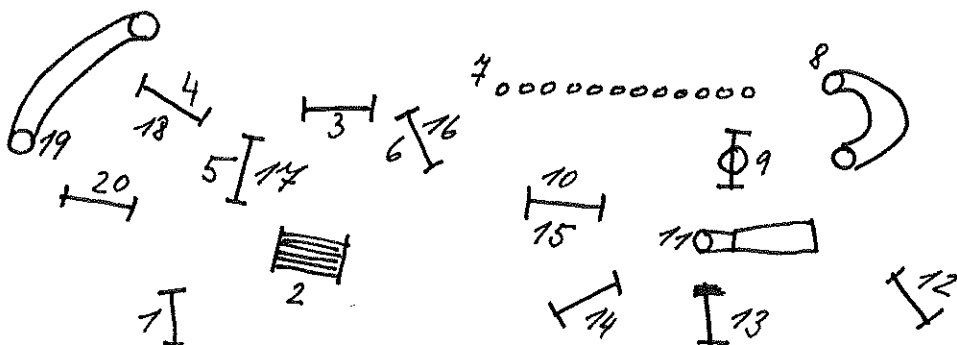


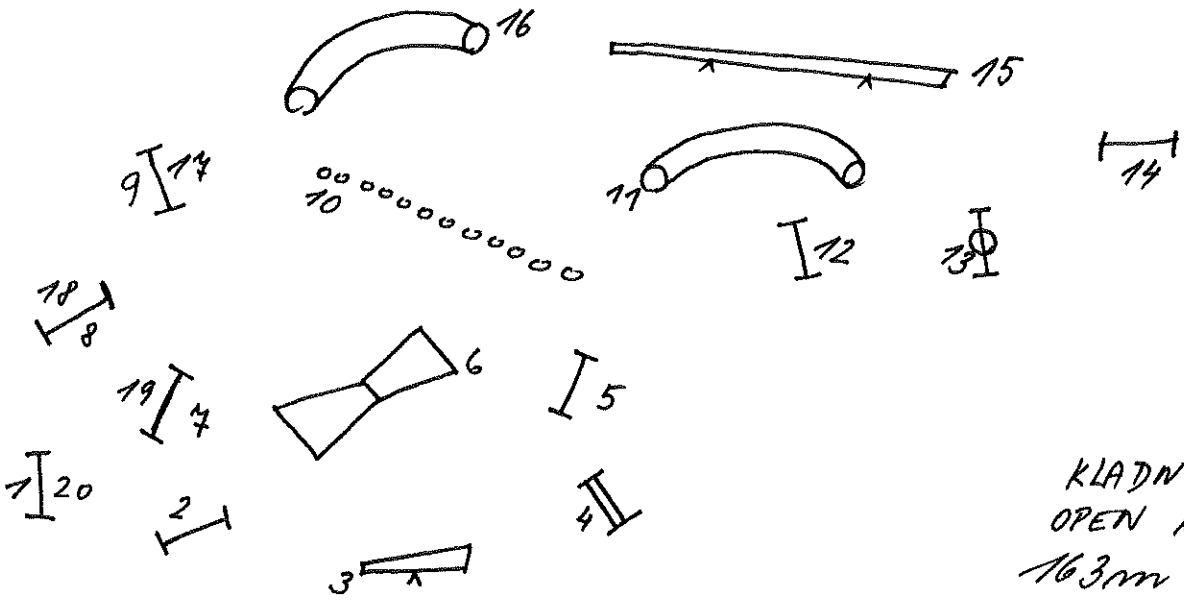
KLADNO 3.2.08
 A2 NE DIVIS^v
 159m 3,31m/s



A3 NE DIVIS^v
 164m 3,41m/s

JUMP NE DIVIS^v
 146m 3,94m/s





KLADNO 3.2.2008
 OPEN NE DIVIS
 163m 3,49m/A